



# CT01 Roller Conveyor Straight Accumulating 24V



# Smart & flexible

The modular platform of Inther Conveyor Equipment (ICE) is unique due to the short installation and commissioning time. All components (both mechanical and electrical) come pre-installed in our modules, including cabling and the correct E-plan codes.

The smart and flexible modules are available in various widths and are suitable for transporting all common goods in intralogistics.



# Straight Accumulating 24V

The CT01 Roller Conveyor Straight Accumulating 24V automatically transports materials using a programmed controller. Each zone is driven by a motor roller that drives the non-driven rollers by means of belting. The Straight Accumulating 24V positions the materials with fixed interspaces on the roller conveyor.

- › Fully modular
- › Integrated and labeled cabling
- › Fast installation time

## Technical specifications

### General information

Max. carrying weight	35 kg/zone
Transport speed	Min. 0,05 / max. 2,2 m/sec.
Ambient temperature	+5°C to +40°C

### Drive transport

Voltage	24V DC
Drive	1 motor roller per zone
Drive coupling	Round belts**
Control	Conveylinx AI
Power consumption per engine	2A (Peak, ECO+ mode)

### Electrical connection

Connection voltage	90-265V AC / 1-phase
Connectivity	0,9A (240V AC)
Connection plug	7/8" Female, 3 pins
Work switch	Included
Sensor	Retro-reflective, installed and wired

### Dimensions

LW effective width	420/620 mm
ML max. module length	3000 mm
TW module width	LW + 96 mm
P roller pitch	75/100/125 mm
SF side guide	80 mm

### Side profile

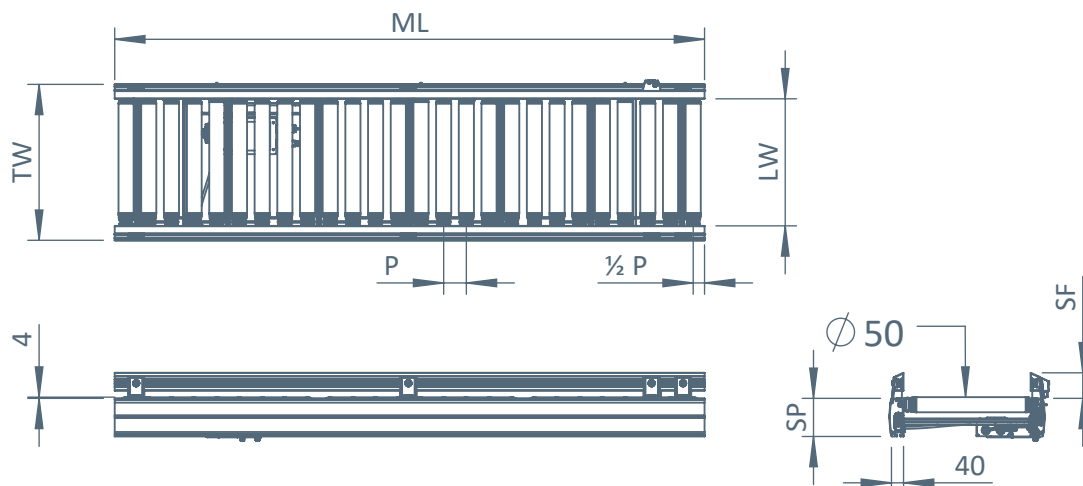
SP Profile height	126 mm
-------------------	--------

### Rollers

Material	Steel 1,5 mm, galvanized*
Diameter	50 mm
Performance	Round head**

\* Optionally, the rollers can be provided with a friction layer

\*\* Optionally, the drive coupling and rollers can be equipped with a poly V-belt drive



# Inther

## Conveyor Equipment

 **The Netherlands (HQ)**  
De Amfoor 15  
5807 GW Venray  
+31 478 50 25 75

 **USA**  
+1 866 292 8266

 **China**  
+86 512 65030958

 **Germany**  
+49 5224 98 58 78

 **Belgium**  
+32 3 336 07 35

[info@inthergroup.com](mailto:info@inthergroup.com)  
[www.inthergroup.com](http://www.inthergroup.com)



**INTHER**  
improving intralogistics